



**HAL**  
open science

## Investigation of curvature effects on the reactivity of premixed ammonia-air flames

Alka Karan, Guillaume Dayma, Christian Chauveau, Fabien Halter

► **To cite this version:**

Alka Karan, Guillaume Dayma, Christian Chauveau, Fabien Halter. Investigation of curvature effects on the reactivity of premixed ammonia-air flames. 1st Symposium on Ammonia Energy, Sep 2022, Cardiff, United Kingdom. hal-03777739

**HAL Id: hal-03777739**

**<https://univ-orleans.hal.science/hal-03777739>**

Submitted on 29 Sep 2022

**HAL** is a multi-disciplinary open access archive for the deposit and dissemination of scientific research documents, whether they are published or not. The documents may come from teaching and research institutions in France or abroad, or from public or private research centers.

L'archive ouverte pluridisciplinaire **HAL**, est destinée au dépôt et à la diffusion de documents scientifiques de niveau recherche, publiés ou non, émanant des établissements d'enseignement et de recherche français ou étrangers, des laboratoires publics ou privés.

# Investigation of curvature effects on the reactivity of premixed ammonia-air flames

Karan A<sup>a\*</sup>, Dayma G<sup>a</sup>, Chauveau C<sup>b</sup>, Halter F<sup>a</sup>

<sup>a</sup> Université d'Orléans, CNRS-ICARE, 1c avenue de la Recherche Scientifique, F-45071 Orléans cedex, France

<sup>b</sup> CNRS-ICARE, 1c avenue de la Recherche Scientifique, F-45071 Orléans cedex, France

## Introduction

Ammonia-air flames are characterized by low flame speeds, thick flames and low reactivity. To enhance the reactivity of these flames, the impact of different parameters on the inner structure of the flame must be studied. One of the parameters that could influence the reactivity is the curvature effect. Turbulent flames are known to induce such curvature and strain which may aid to modify the reactivity of a flame. There are several studies done on swirl flows [1, 2] and on turbulent flows [3, 4]. However, turbulence is very complex in nature. The elementary way to study curvature effects is to study a perturbed laminar flame. In this work, acoustic perturbations generating flame-acoustic interactions are used to study the curvature effects on premixed ammonia-air flames. There is hardly any experimental work done on studying perturbed laminar ammonia flames. However, there are some numerical simulations performed. Netzer et al. [5] studied the curvature effects on NO formation and emphasized on the diffusion effects of lighter species and its effect on local curvature. From the work done by Wei et al. [6], it can be concluded that the PDF of HRR (heat release rate) indicated that the HRR was more likely to occur at slightly negatively curved flames. From our previous work [7], the inner structure of stationary premixed ammonia-air flames on a Bunsen burner at atmospheric conditions for equivalence ratios ranging between 0.9 and 1.4 was thoroughly investigated. It was concluded that  $\text{NH}^*$  and  $\text{NH}_2^*$  are good indicators of HRR. Since  $\text{NH}_2^*$  has a higher emission signal when compared to  $\text{NH}^*$ , tracking  $\text{NH}_2^*$  alone as an indicator of HRR should give sufficient information. This study focuses on the curvature effects induced from the acoustic perturbations on  $\text{NH}_2^*$  for  $\phi = 1.4$  at atmospheric conditions on a Bunsen burner.

## Materials and Methods

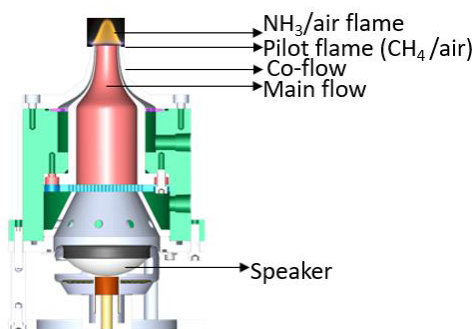


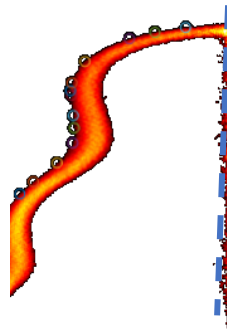
Fig. 1. The schematic diagram of the Bunsen burner

The experiments were performed on a Bunsen burner set-up at atmospheric conditions for  $\phi = 1.4$ . Fig. 1 shows a schematic diagram of the burner. A pilot flame consisting of methane-air at stoichiometry is used to stabilize the main flame. Tests have been carried out to ensure that there is no interference of the pilot flame with the parameters of interest that are monitored in this study. Moreover, the main study has been formed away from the base of the flame. Rotameters are used to control the flow of the pilot flame and mass flow controllers are used to control the feed to the main flame. For the acoustic generation, a speaker is placed at the bottom of the burner and is connected to an amplifier which is further connected to a wave generator. Using the wave generator, the type of the wave, the amplitude and the frequency of the wave can be controlled. Upon performing several tests, it was decided that sin waves with a forcing amplitude of 0.5 V and forcing frequency of 40 Hz was to be used to generate the desirable perturbation. A low speed sCMOS camera (KURO) was used to capture the images. An objective lens used for the visible range spectrum is attached to the camera. To monitor  $\text{NH}_2^*$ , a filter at 632 nm was initially mounted on the objective lens and it was noticed that the signal-to-noise ratio for this dynamic flame was too low. Since there are several bands of  $\text{NH}_2^*$  emission peaks in the visible region, tests were done to study and compare

the images of stationary flames with and without the  $\text{NH}_2^*$  filter and it was concluded that indeed, without using the  $\text{NH}_2^*$  filter a collective information on all  $\text{NH}_2^*$  band spectrum is obtained.

## Results and Discussions

Half of the inverted Abel transformed images of the flames at  $\phi=1.4$  is shown in Fig. 2 respectively. The blue dotted line represents the central axis. These images were captured at almost the same instant in order to have a similar flame response. To assess the curvature effects, the mean curvature was found along the contour at different positions marked in loops at the outermost contour of these images. By convention, negative curvature is associated with a concave front towards the burned gas and a positive curvature is associated with a convex front towards the burned gases. It was seen that the mean curvature effects did not afford any usable information and so this mean curvature was further split into two principle curvatures,  $k_1$  along the contour of the flame and  $k_2$  along the circumferential direction. To assess the reactivity, two parameters: thickness along the normal to the front and the maximum intensity along the normal to the front were used. Thickness is defined as the FWHM (full width half mean) of the Gaussian curve with a 95% confidence interval obtained when moving along the normal to the front. On plotting the four parameters against each other, it was seen that  $k_1$  and thickness had similar trends and could be correlated. Therefore, only these two parameters are discussed here.



**Fig. 2.** Left half of inverted Abel transformed image of FAI at  $\phi=1.4$ . Coloured loops representing the selected points.

$Le$  is slightly more than 1 and so the thermal diffusion rate of the burned gases towards the fresh gases is slightly more than the molecular diffusion of the fresh gases to the burned gases. The thickness of the flame clearly varies along the contour and it was seen that the variation was associated with  $k_1$ . Here, the more positive the  $k_1$ , the higher the thickness and vice-versa. The large variation in thickness associated to minor variation in  $k_1$  implies that  $Le$  is not the only parameter that influences the flame response and its reactivity. It was seen that the intensity of the flame decreased from the base to the tip irrespective of the value of the curvature. Upon, performing several tests to capture different flame responses to the same excitation, this observation was confirmed. It is understood that the convective-diffusion velocities played a major role in the reactivity rather than the acoustic perturbation itself. The effect of preferential diffusion on the reactivity of curved flames has been highlighted by Mizomoto et al. [8]. On computing the Damköhler number,  $Da$  it was seen that this value was close to 1 indicating that the time scale of the perturbation was not sufficient to see the curvature effects on the species reactivity when compared to the chemical scale. The convective velocity was about 25 times the diffusion velocity of ammonia into air at ambient conditions. This indicates that it is not ammonia that directly diffuses onto the sides of the flames but ammonia itself decomposes into lighter species that diffuses faster than the convection flow. The preferential diffusion of  $\text{H}_2$  and other species towards the sides play a major role in enhancing the local reactivity.

## Conclusions

Flame-acoustic interactions were performed to study the curvature effect on the reactivity of the species. These experiments were performed for premixed ammonia-air flames on a Bunsen burner at atmospheric conditions for  $\phi=1.4$  with an acoustic perturbation of forcing amplitude 0.5 V and forcing frequency of 40 Hz. It was seen that for the given perturbations, the Lewis number had a more dominant effect on the reactivity implying that at least for these conditions, even though the perturbations were high enough for the flame to respond with alternative curved fronts, the Damköhler number shows that for these thick flames, the time scale of the perturbation was not sufficient to induce a change in reactivity due to the imposed curvature effects. It may be concluded that for thick flames, the preferential diffusion effects play a large role in any changes in reactivity and as far as curvature effects are concerned, the effect of  $k_1$  can be seen as a change of thickness with positive  $k_1$  leading to an increase in thickness and vice-versa.

## References

- [1] Xiao, H; Valera-Medina, A; Bowen, P; Dooley, S. 3D Simulation of Ammonia Combustion in a Lean Premixed Swirl Burner, *Energy Procedia* 142 (2017) 1294. 10.1016/j.egypro.2017.12.504
- [2] Hussein, N.A; Valera-Medina, A; Alsaegh, A.S. Ammonia- hydrogen combustion in a swirl burner with reduction of NO<sub>x</sub> emissions, *Energy Procedia* 158 (2019) 2305. 10.1016/j.egypro.2019.01.265
- [3] Lhuillier, C; Brequigny, P; Contino, F; Mounaïm-Rousselle, C. Experimental investigation on ammonia combustion behavior in a spark-ignition engine by means of laminar and turbulent expanding flames, *Proc. Combust. Inst.* 38 (2021) 5859. 10.1016/j.proci.2020.08.058
- [4] Fan, Q; Liu, X; Xu, L; Subash, A.A; Brackmann, C; Aldén, M; Bai, X.-S; Li, Z. Flame structure and burning velocity of ammonia/air turbulent premixed flames at high Karlovitz number conditions, *Combust. Flame* 238 (2022) 111943. 10.1016/j.combustflame.2021.111943
- [5] Netzer, C; Ahmed, A; Gruber, A; Løvås, T. Curvature effects on NO formation in wrinkled laminar ammonia/hydrogen/nitrogen-air premixed flames. *Combust. Flame* 232 (2021) 111520. 10.1016/j.combustflame.2021.111520
- [6] Wei, X; Zhang, M; An, Z; Wang, J; Huang, Z; Tan, H. Large eddy simulation on flame topologies and the blow-off characteristics of ammonia/air flame in a model gas turbine combustor, *Fuel* 298 (2021) 120846. 10.1016/j.fuel.2021.120846
- [7] Karan, A; Dayma, G; Chauveau, C; Halter, F. Insight into the inner structure of stretched premixed ammonia-air flames, *Proc. Combust. Inst.* 39 (2022) (accepted).
- [8] Mizomoto, M; Asaka, Y; Ikai, S; Law, C.K. Effects of preferential diffusion on the burning intensity of curved flames, *Symp. Int. Combust.* 20 (1985) 1933. 10.1016/S0082-0784(85)80692-5

The proceedings of this symposium are freely available under the following link:

[https://www.ammoniasymposium2022.com/\\_files/ugd/2f8dca\\_caac6ba0e961496b963a629a60b8c4ea.pdf](https://www.ammoniasymposium2022.com/_files/ugd/2f8dca_caac6ba0e961496b963a629a60b8c4ea.pdf)